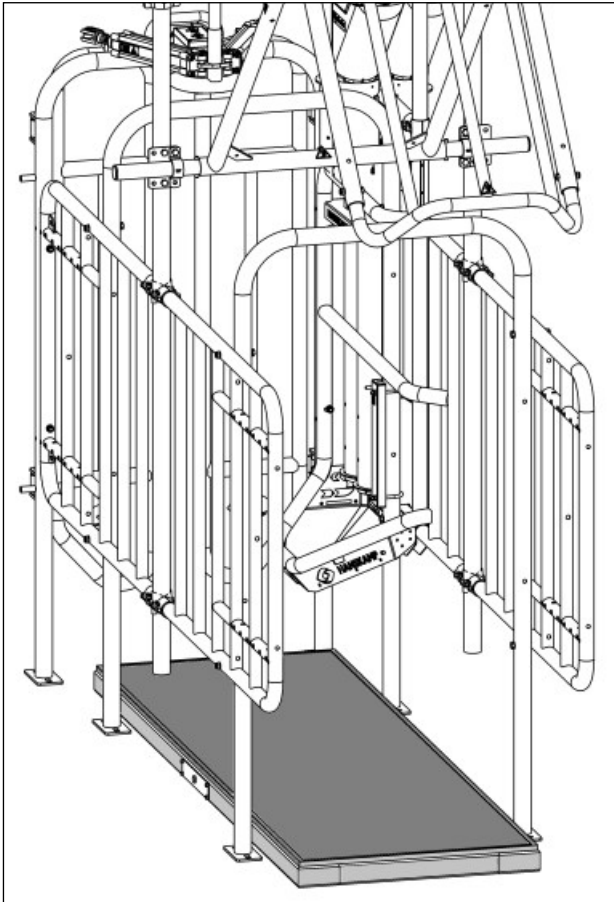


ScaleUnit 005-190-000



Weighing floor equipment for Spider
Weegvloerinrichting voor Spider
Wiegebodenausrüstung für Spider
Équipement de plancher de pesée pour Spider

Operating Instructions

EN

Item number: 010-370-000

Date: December 2025
Version 0.3 - Instructions - Original document



HANSKAMP

Innovation for dairy farming

Wehl,
The Netherlands
www.hanskamp.com

Table of contents

Chapter	Description	Page
	Table of contents	2
	Foreword	3
1.	Technical specifications and tolerances	4
1.1	Specifications	4
2.	Safety	5
2.1	Instructions	5
3.	Transportation	6
4.	Assembly, installation and commissioning	6
4.1	Mechanical assembly	6
4.2	Electrical assembly	7
4.3	Adjusting software settings	8
4.4	Commissioning	9
5.	Operation	9
5.1	Reading weights	9
5.2	Resetting	10
6.	Maintenance	10
6.1	Preventive maintenance	10
6.2	Spare parts	10
6.3	FAQs	11
6.4	Version management	11
6.5	Dimensional drawing	12
6.6	Parts	12

Foreword

This user guide has been compiled for everyone responsible for work on or with the weighing floor. Before working with or on the weighing floor, you must read this user guide.

This user guide contains important instructions/information on how the weighing floor can be used in a safe, competent and economic manner, and must be available at all times at the place where the weighing floor is used.

The user guide must be supplemented with instructions based on existing national regulations concerning accident prevention and environmental protection.

Supplier details if not supplied directly by Hanskamp AgroTech BV.

Name		Dealer stamp
Address		
Telephone number		
E-mail address		

Hanskamp AgroTech BV guarantees the proper functioning of the weighing floor for 12 months after delivery, but is not liable for consequential damage to buildings, machinery and the surrounding area caused by the weighing floor or by whatever reason. Hanskamp AgroTech BV constantly strives to improve the products and services it provides, which is why we reserve the right to amend the specifications stated in this user guide at any time and without prior notice.

The weighing floor is delivered subject to the general terms and conditions of delivery issued by Hanskamp AgroTech BV, which are available at www.hanskamp.com. Hanskamp AgroTech BV is not liable for direct or indirect damage as a result of operating faults, a lack of expert maintenance, or any use other than those described in this user guide. Neither is Hanskamp AgroTech BV liable if you or third parties make changes or expansions to the weighing floor without prior written consent.

The weighing floor is only suitable for the process and ambient conditions stated in the 'Technical specifications and tolerances' section of this user guide. Any other use is not permitted by Hanskamp AgroTech BV, and could pose a risk to the operator and/or the environment.

Warranty limitations

Costs and expenses resulting from the following are excluded from the warranty:

- Using the equipment improperly, in violation of the specifications in the installation and operating instructions;
- The consequences of any intervention by mechanics other than mechanics approved by Hanskamp for carrying out certain work;
- Incidents such as freezing, ice, fire, flood, flooding or any other problems caused by excessive water, and lightning;
- Defective electrical system or earthing;
- Using compressed air that does not meet Hanskamp's quality standards;
- Damage to the electrical system caused by pests and the like.

The warranty does not apply to consequential damages unrelated to the machine itself. All systems have been tested, However, in the event of defects, Hanskamp AgroTech BV cannot be held responsible for consequential damage.

1. Technical specifications and tolerances

The Hanskamp ScaleUnit is an option on the Spider system for accurately weighing animals and recording weights. The weighing floor can be connected to the Spider system by a network cable. The weighing floor is intended exclusively for use in a professional industrial/agricultural environment.



The ScaleUnit may only be used within the specifications and tolerance limits stated in the order, on the assembly drawing, and in this user guide. If this ScaleUnit is used outside of these specifications, Hanskamp AgroTech BV is unable to take any further responsibility for this ScaleUnit.



The ScaleUnit is only intended as a weighing floor for connecting to Hanskamp's Spider system.



Do not use the ScaleUnit for purposes other than those for which Hanskamp created it, as this can cause damage and danger for the operator and the environment.

1.1 Specifications of 005-190-000 ScaleUnit

ScaleUnit power supply	Input: 12-24 VDC (brown = + white = -) Output: Ethernet data signal Suitable for Hanskamp's Spider system.
Limits for storage, transportation and use	0 ... 40°C Non-condensing RH
IP code	IP67
Cable	Supplied with 10 m (6 x 0.25 mm ²) cable as standard. Cable may be shortened.
Materials	Galvanised frame with rubber top layer.
Floor dimensions	2204 mm x 706 mm x 116 mm
Floor weight	± 75 kg
Weighing range	1 kg to 1.000 kg



The stickers present must not be removed.

2. Safety



The weighing floor was built in accordance with the latest technology and recognised technical safety rules. Nevertheless, its use can pose a danger to the lives and bodies of the user or third parties. Use may also cause damage to the weighing floor or other goods.

2.1 Instructions

1. The ScaleUnit must be operated and maintained by qualified personnel, with due observance of warnings on the weighing floor and the user guide. Keep children and other unauthorised individuals at a distance when using the ScaleUnit.
2. The ScaleUnit is only suitable for the process and ambient conditions stated in the 'Technical specifications and tolerances' section of this user guide. Any other use is not permitted by Hanskamp AgroTech BV, and could pose a risk to the operator and/or the environment.
3. The ScaleUnit must not be modified without the prior written consent of Hanskamp AgroTech BV.
4. Only a qualified electrician may install the power supply for the weighing floor. During installation, make sure that animals are completely unable to access the area around the wiring. Check whether the earth connection of the electrical system and all parts of the weighing floor satisfy local rules and regulations.
5. The ScaleUnit must be installed in such a way that there is sufficient service space left for safe working and to carry out maintenance and inspections.
6. Keep the working environment clean and well lit. An untidy or dark working environment could result in accidents.
7. Keep hands, hair, loose-hanging clothing and jewellery away from moving parts of the product controlled by the ScaleUnit.
8. While the ScaleUnit is on, no connections or safety provisions whatsoever may be removed. Only use the ScaleUnit if all protective equipment and safety measures are present and in working order.
9. Never move the ScaleUnit if the electricity supply is still connected.
10. Prescribed times, or times stated in the user guide for periodic checks and maintenance, must be observed.
11. Only allow qualified and expert personnel to maintain and repair the ScaleUnit, and only use original replacement parts.
12. Replace any damaged electrical wiring, cable covers, switches or parts immediately.
13. In addition to the user guide, generally applicable statutory and other binding regulations in relation to accident prevention and environmental protection must be observed. These include the regulations on using personal protective equipment.
14. Notify operating staff before commencing maintenance work. Interrupt the power supply before starting to clean, examine, or maintain the ScaleUnit by disconnecting the power supply.
15. If the ScaleUnit is damaged or no longer works in the prescribed manner, work must be stopped immediately. Work may only be resumed once the weighing floor has been repaired or replaced, and has been inspected. Please consult your supplier if the ScaleUnit is not working properly.
16. The ScaleUnit and its parts must be disposed of in accordance with local legislation and regulations.

3. Transportation



Follow all the instructions in this user guide, in particular the safety chapter.

Report damage during or immediately after delivery to the shipping company and to Hanskamp. Take all necessary measures to prevent further damage.

4. Assembly, installation and commissioning



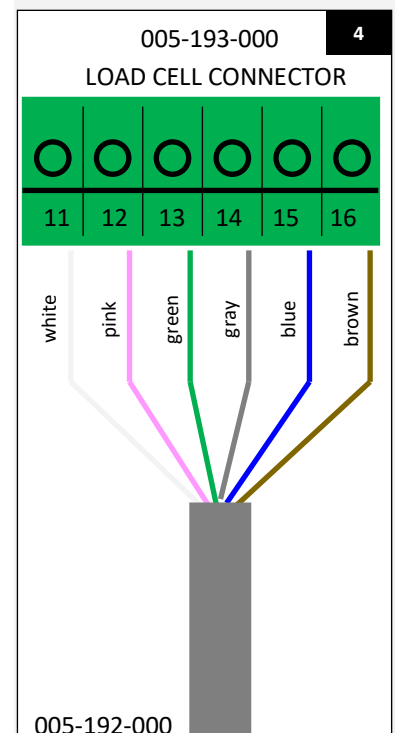
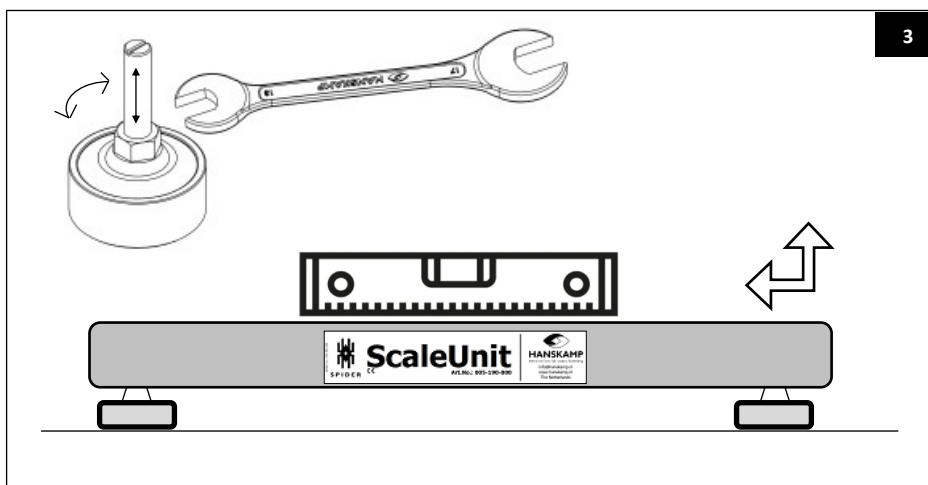
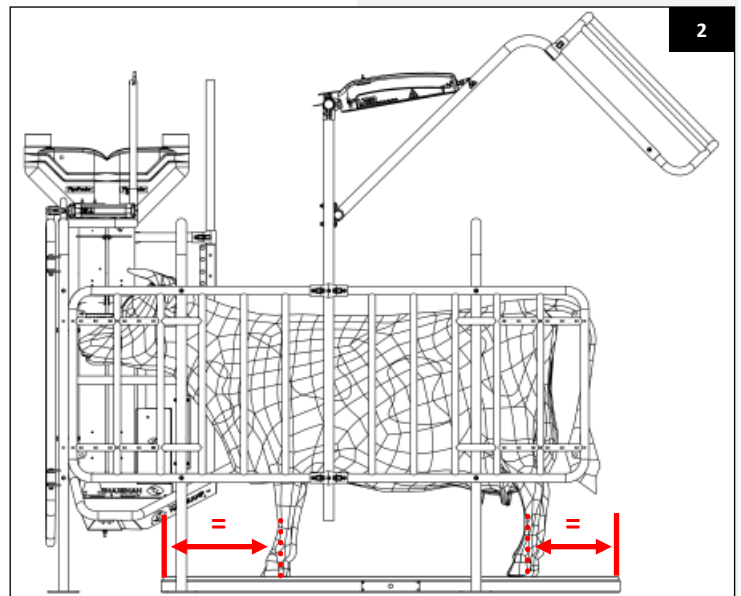
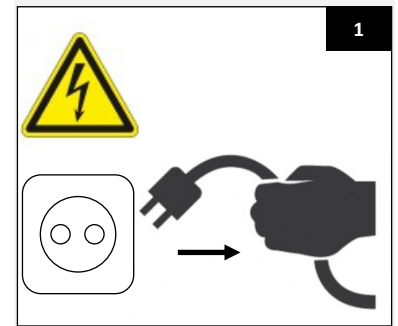
Follow all the instructions in this user guide, in particular the safety chapter.

4.1 Mechanical assembly

Assemble this product in a way that leaves sufficient space for safe working, cleaning, maintenance, and inspections.

Assembly examples can be found at www.hanskamp.com.

1. Deenergise the Spider completely (figure 1).
2. Place the weighing floor between the legs of the concentrate feed station.
First check carefully where the cow is standing, placing the weighing floor in the centre (figure 2).
3. Adjust the 4 feet of the weighing floor in such a way that the floor is level in both directions (figure 3).
4. Stow away the cable neatly, out of the reach of the cow. Guide the cable to the Spider unit. Remove the cable connector to do so (figure 4).



4.2 Electrical assembly



Only a qualified electrician may install the power supply for the weighing floor.

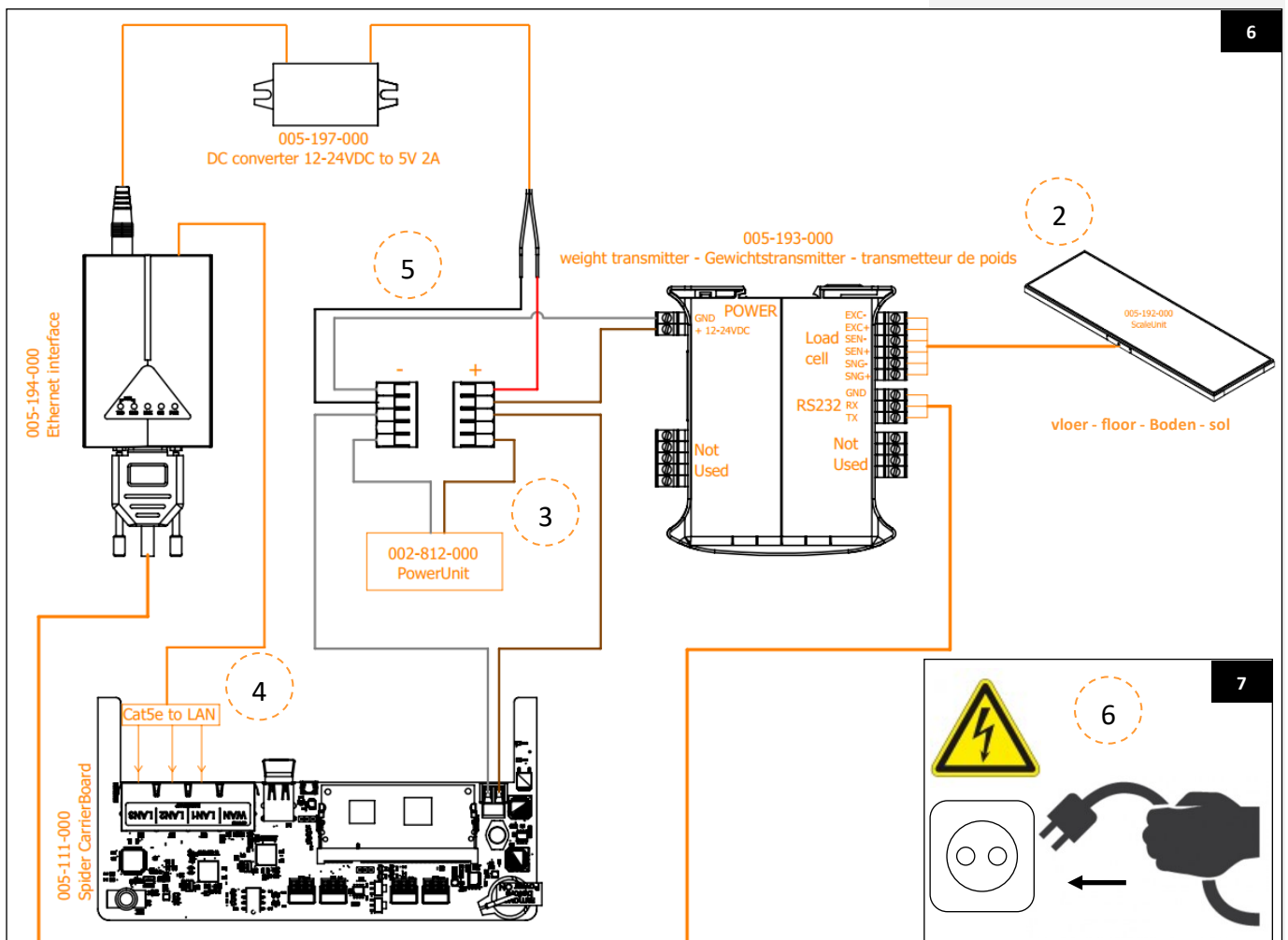
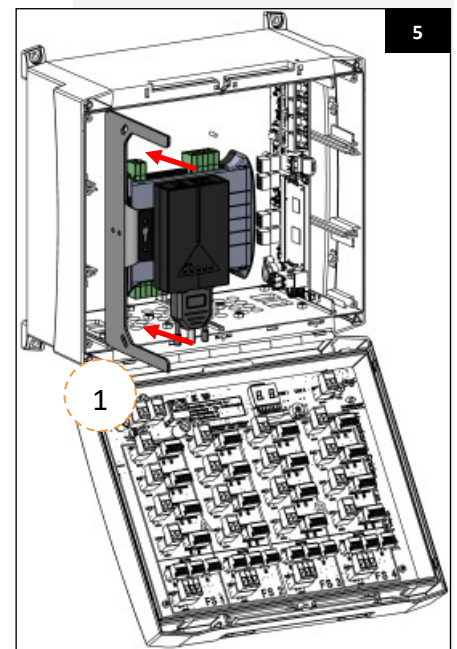


During installation, make sure that animals are unable to access the area around the wiring.



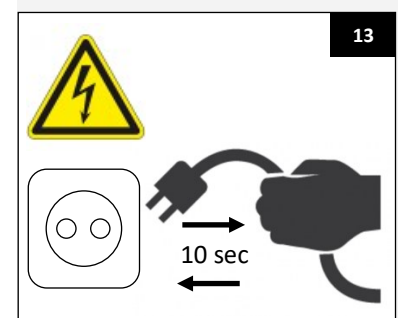
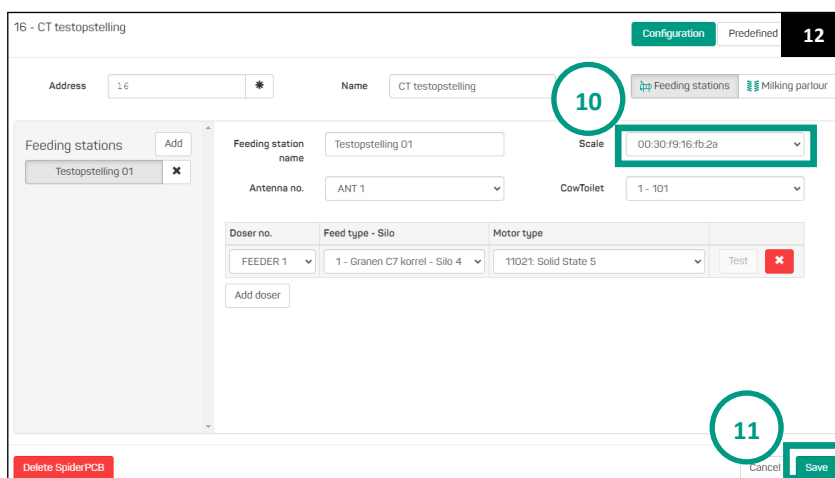
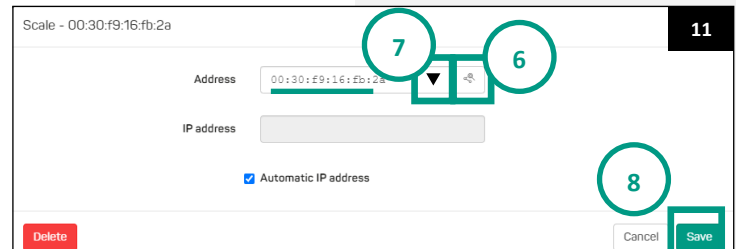
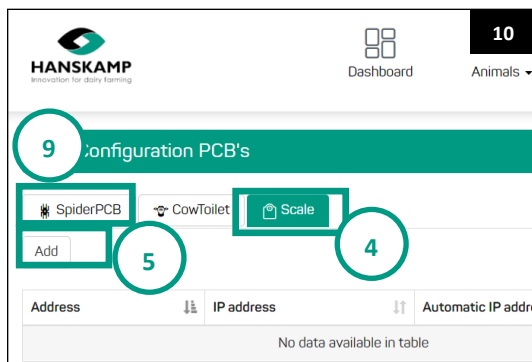
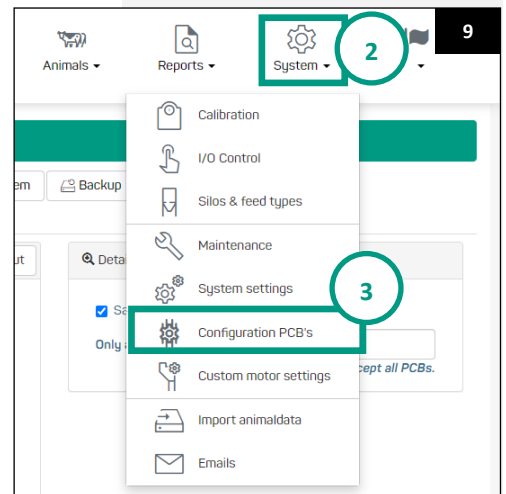
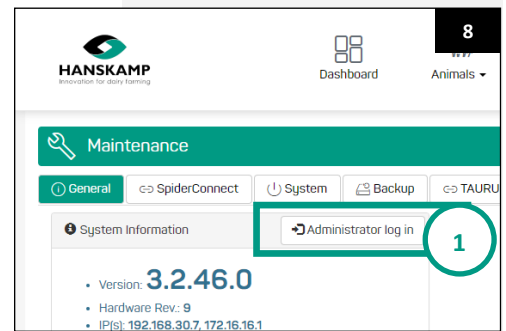
Check whether the earth connection of the electrical system and all parts of the weighing floor satisfy local rules and regulations.

1. Place the weight transmitter and the ethernet interface (1, figure 5) in the Spider unit.
2. Connect the cable of the weighing floor with the connector to the 6-way input of the weight transmitter that is still free (LOAD CELL) (figure 4) (2, figure 6).
3. Connect the power cables using the welding clamps (3, figure 6).
4. Insert the UTP Cat5e cable of the ethernet interface into one of the free LAN connections of the CarrierBoard (4, figure 6).
5. Also connect the power supply to the weight transmitter using the welding clamps (5, fig. 6). In addition, connect the Ethernet interface using the DC converter.
6. Reconnect the Spider to the power supply to start up the entire system (6, figure 7).



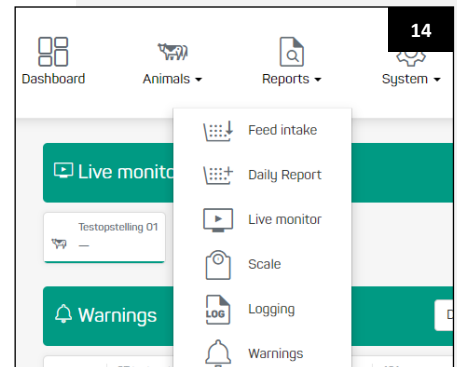
4.3 Adjusting software settings

1. Open the Spider user environment.
2. In the menu, go to 'Maintenance' and log in as 'Administrator' (1).
3. In the 'System' menu (2), go to 'Configuration PCB's' (3) and then select the 'Scale' tab (4).
4. Select 'Add' (5), and a pop-up screen will open.
5. Select 'Search for weighing units' (6), and a dropdown menu will appear (7).
6. Select the (MAC) address that corresponds to the one on the sticker on the weight transmitter and/or the ethernet interface.
7. Select 'Save' (8).
8. The weighing floor can now be connected to the feed station in question. To do this, go to the 'SpiderPCB' tab (9) of the 'Configuration PCB's' page.
9. Click on the line of the relevant SpiderPCB. A pop-up screen will open.
10. Select the feed station in which the ScaleUnit is located, then under 'Scale' select the correct (MAC) address (10). Then select 'Save' (11). Carry out these steps for every weighing floor.
11. Restart the entire Spider system by disconnecting the power supply plug from the mains for 10 seconds (figure 13).
12. The ScaleUnit is now ready to use.



4.4 Commissioning

The weighing floor must be set to 0 kg before first use. The current weight can be read in real time in 'Reports' -> 'Scale' (figure 14). If the floor is clean and no animal is standing on it, but a weight is displayed, adjust to 0 manually (figure 15).



5. Operation



Follow all the instructions in this user guide, in particular the safety chapter.



If the ScaleUnit is damaged or no longer works in the prescribed manner, work must be stopped immediately. Work may only be resumed once the weighing floor has been repaired or replaced, and has been inspected. Consult your supplier if the machine is not working properly.



5.1 Reading weights

The Spider program shows the weight of each cow weighed in various places:

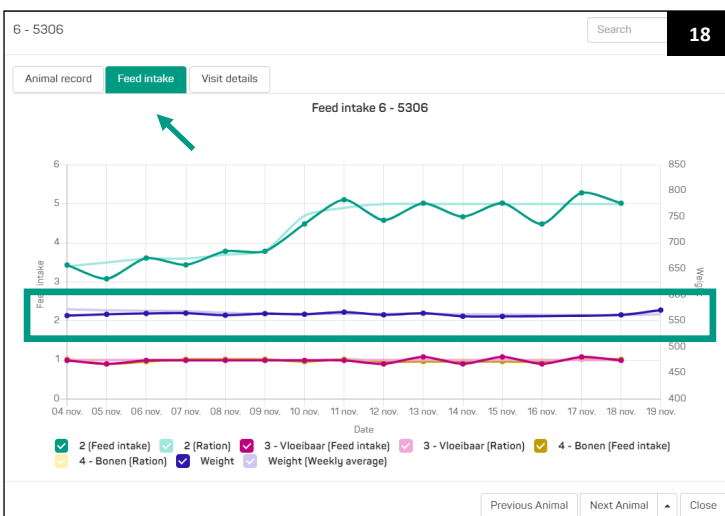
1. In the 'Animals' -> 'Animal record' overview: The column furthest to the right shows the last measured weight of each animal. This column can also be arranged in ascending or descending order by clicking the button in the table (figure 16).
2. On the 'Animal record': The 'Weight' field shows the last measured weight of this specific animal (figure 17).
3. The 'Feed intake' graph shows the trend over the last 14 days for this specific animal (figure 18).
4. The 'Visit details' graph shows the measured weight per day and time for this specific animal (figure 19).

Ref. date	Days	Weight
26-05-2021	177	659,5
25-06-2020	512	780,5
09-11-2021	10	508,0
01-03-2021	263	717,0
05-03-2021	259	840,0
23-10-2021	27	566,0
23-10-2021	27	583,5
27-03-2021	237	687,5

3 - 5303

Animal record | Feed intake | Visit details

Number: 3
 Tag: 5303
 Group: 2 - Opbouw 0-21d
 Lactation number: 1
 Feeding method: Group curve
 Reference date: 09-11-2021
 Marking: 1
Weight: 508 kg



5.2 Resetting

Deenergise the weighing floor and the Spider system to reset them. Saved values/ parameters are maintained.

6. Maintenance



Follow all the instructions in this user guide, in particular the safety chapter.



Maintenance must be carried out by qualified personnel with due observance of warnings on the weighing floor and with due observance of the user guide.

6.1 Preventive maintenance

The following maintenance instructions assume normal use. In the case of intensive use or use under extreme conditions, maintenance must be carried out more frequently.

Item	1x per...	Comments
ScaleUnit	Day	Check whether the floor is clean and free from things such as manure or straw (bedding). Despite the automatic calibration of the weighing cells, elements remaining on the floor may affect a measurement.
ScaleUnit	Day	Check for unusual sounds after starting the system.
Warning pictograms	Week	Check readability, and replace if necessary.
Warning and type number stickers	Week	Check readability, and replace if necessary.
Electrical installation	Month	Check for damage. Replace any damaged electrical wiring, cable covers, switches or parts immediately. Only a qualified electrician may install the power supply for the weighing floor. During installation, make sure that animals are unable to access the area around the wiring. Check whether the earth connection of the electrical system and all parts of the weighing floor adhere to local rules and regulations.

6.2 Spare parts

Only original Hanskamp AgroTech BV parts and accessories may be used for the weighing floor.

6.3 FAQs

Problem/question	Potential cause	Solution/answer
The weighing floor is connected, but doesn't display or record any weights.	Communication problem.	Deenergise the weighing floor and the Spider system, and restart them.
An animal is on the scales, but nothing is recorded (the weight can be read).	The cow has not been recognised.	Recording is only active when a transponder is recognised.

6.4 Version management

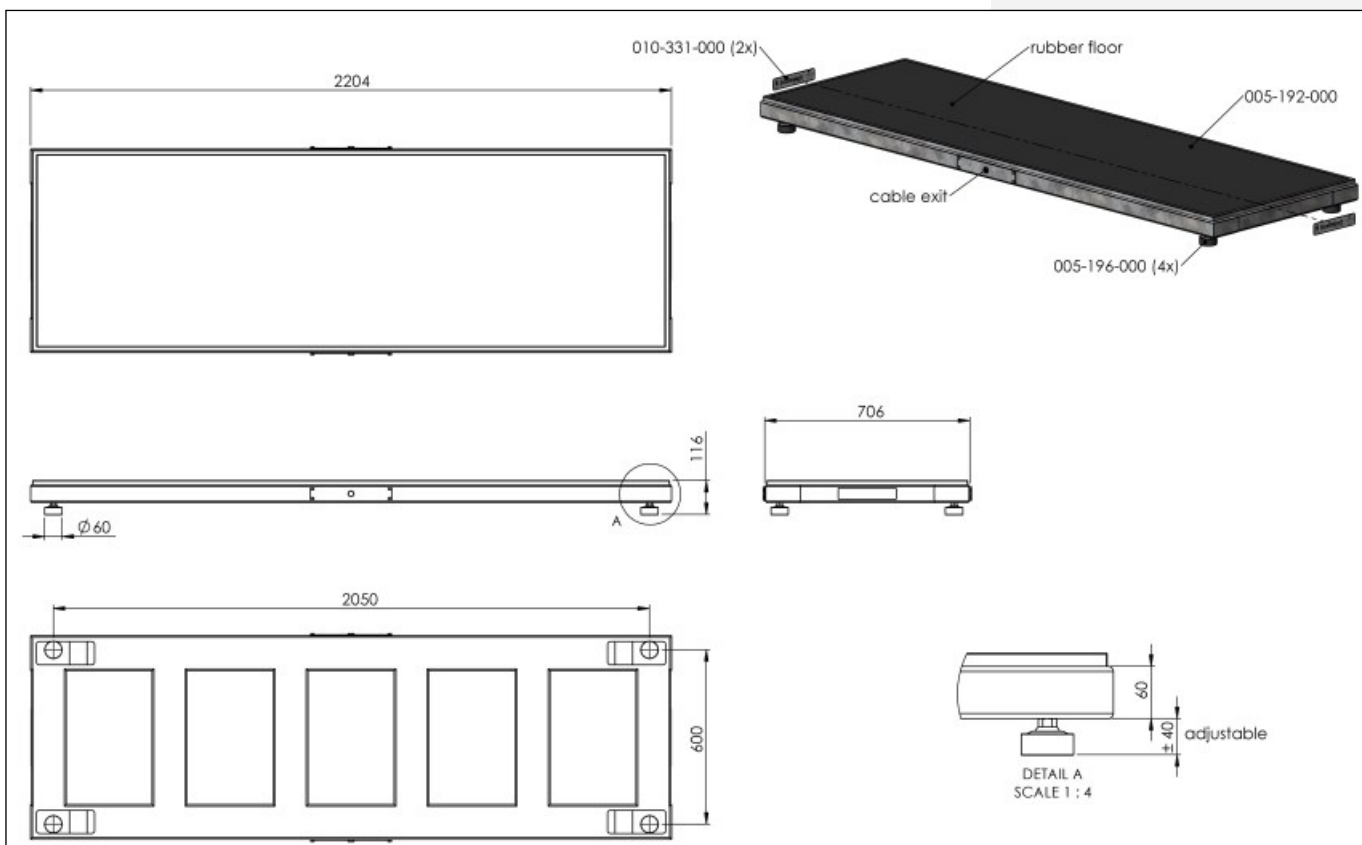
Overview of changes made in these installation and operating instructions:

No.	Date of issue	Chapter(s)	Comments
0.1	12/2021	All	First edition
0.2	11/2024	Pages 7 + 12	Page 7: Image replaced and text step-by-step plan partly adjusted. Page 12: Image has been replaced and description of converter cable added at 005-197-000 in the article number table.
0.3	12/2025	Pages 1 + 13	Page 1 Change of place name. Page 13 Change of address Hanskamp.

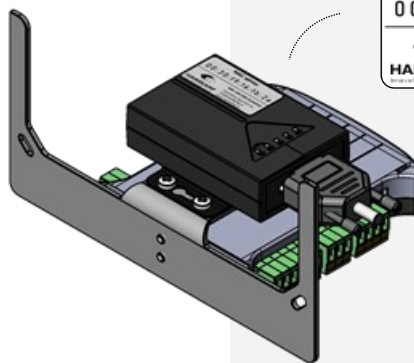
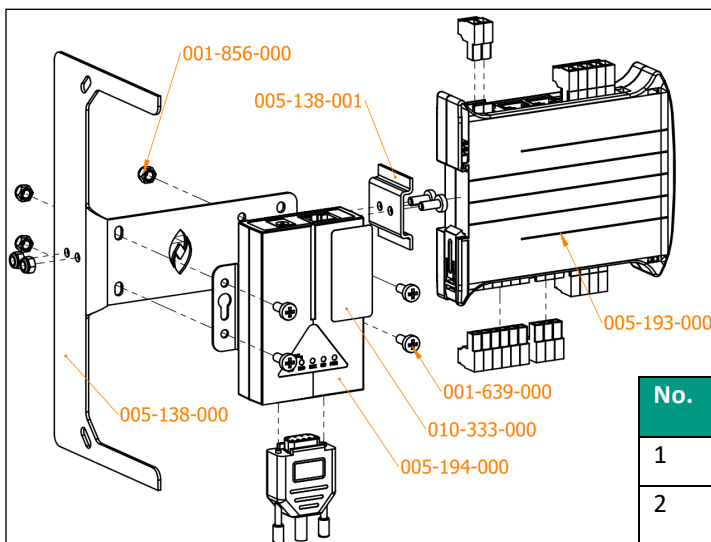
Copyright and disclaimer

The information in this publication is for informational purposes only, and is not intended as a sales quote. The products offered may differ from the images. Any brand or product references in this manual are for identification purposes only. The company and product names mentioned in this manual are trademarks. No part of this publication may be reproduced or made public without the prior written consent of Hanskamp AgroTech BV. Although this publication has been compiled with the greatest care, Hanskamp AgroTech BV is not liable for any damage that may arise due to any errors or omissions it might contain. The Dutch installation and operating instructions are the original installation and operating instructions. Translations into other languages are based on the Dutch installation and operating instructions as a source document. Hanskamp AgroTech BV accepts no liability for differences between the translations. If there are any doubts about the content and accuracy of the translated installation and operating instructions, the Dutch installation and operating instructions shall prevail.

6.5 Dimensional drawing



6.6 Parts



011-333-000



No.	Art. no.	Description	Quantity
1	005-190-000	ScaleUnit complete	1
2	005-192-000	Floor with rubber surface 700 x 2200 mm	1
3	005-193-000	Weight transmitter	1
4	005-194-000	Ethernet interface	1
5	005-195-000	Stainless steel load cell	4
6	005-196-000	Adjustable foot stainless steel with ball joint	4
7	005-197-000	ScaleUnit 24VDC -> 5VDC con- verter cable for power supply Ethernet interface, 1 m	1

Hanskamp AgroTech BV
Xenonstraat 6
7031 HX Wehl
The Netherlands
Tel: +31 (0)314 - 393 797
www.hanskamp.com

Also take a look at:

